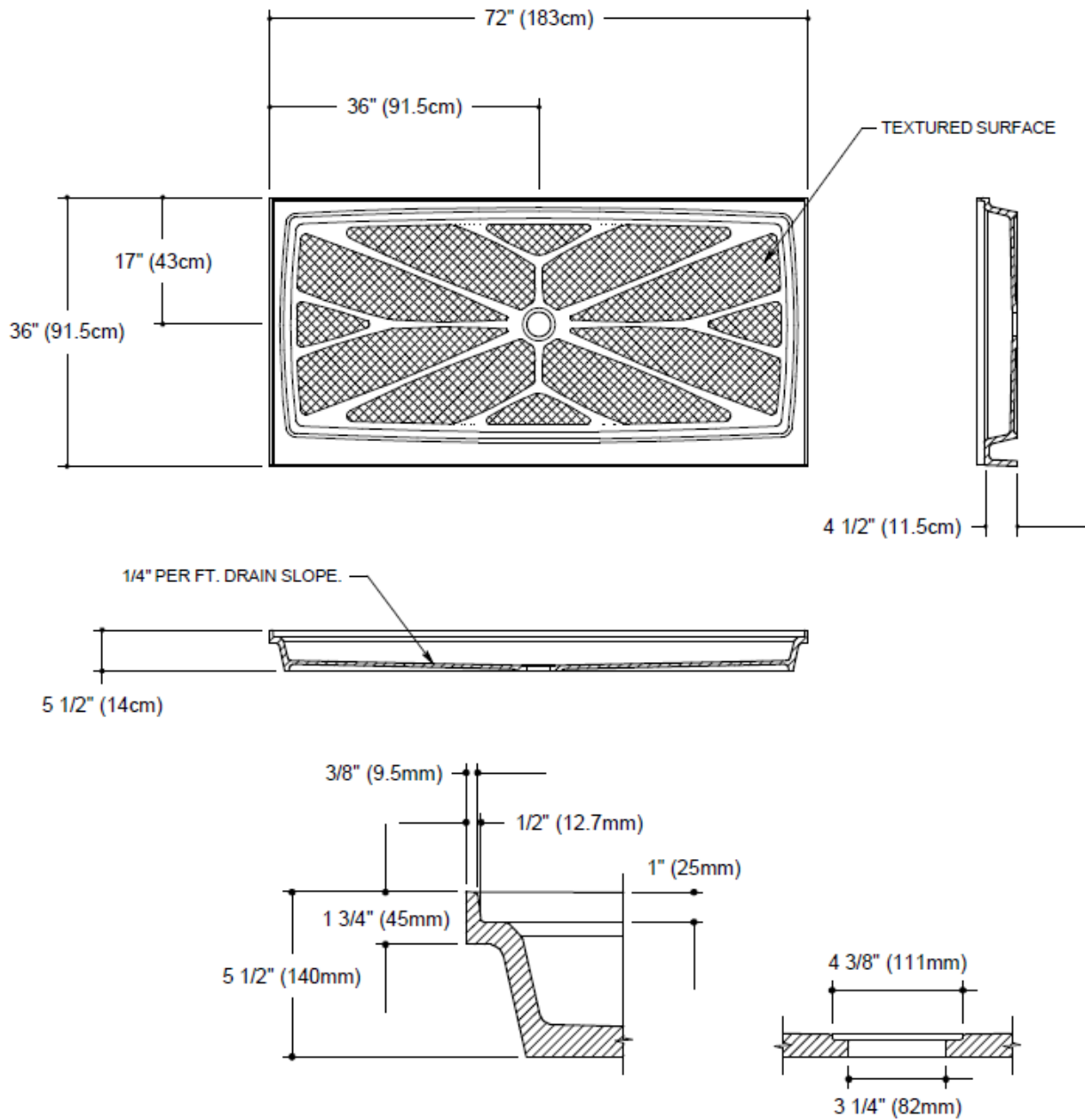


36" x 72" Pan

Aztec Part # AZ-SP3672



Sections showing water dam and drain details.  
(Lightweight option not shown)

